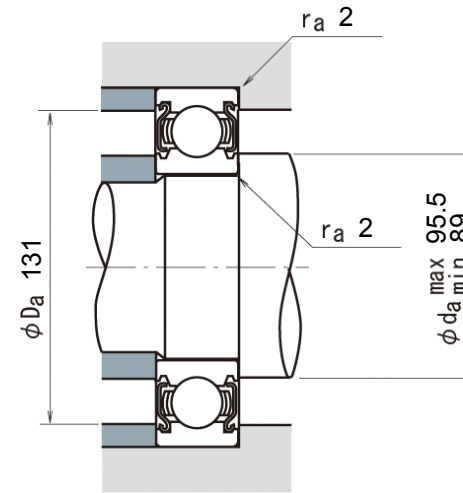
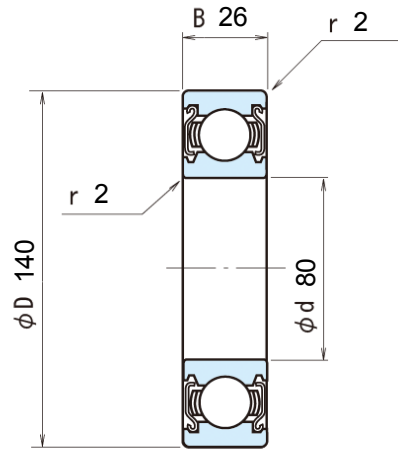


- └ Single-Row
- └ ZZ: With Two Shielded

Boundary Dimensions (mm)				Basic Load Ratings (kN)		Limiting Speeds (min ⁻¹)		Bearing Numbers	NSKHPS
<i>d</i>	<i>D</i>	<i>B</i>	<i>r</i> min.	<i>C_r</i>	<i>C_{0r}</i>	Grease	Oil		
80	140	26	2	72.5	53	4500	-	6216ZZ	



Factor	Mass (kg) approx.
<i>f</i> ₀	
14.6	1.42